

PMH-03P-02F REV.01

PMH UROLOGY

PRODUCTS CATALOG

FL-PMH-009 REV.00 | Data: 23/05/2024

Care with Excellence

PMH - Produtos Médicos Hospitalares, S.A. | +351 263 650 680 | www.pmh.pt | info@pmh.pt



PMH UROLOGY

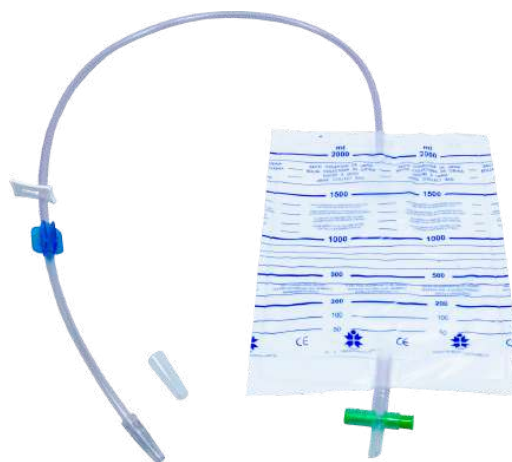
PMH URINE BAGS

ENSURING ASEPTIC PROCEDURES AND MINIMIZING THE RISK OF INFECTIONS ARE PRIORITIES WHEN USING PMH URINE BAGS.

PMH URINE BAGS ARE DESIGNED FOR SAFE URINE COLLECTION. PRODUCED WITH HIGH QUALITY RAW MATERIALS, THEY GUARANTEE DURABILITY AND RESISTANCE, MINIMIZING THE RISK OF BREAKAGES.

THE ERGONOMICS OF THE BAGS ARE DESIGNED TO FACILITATE HANDLING AND EMPTYING THE BAG, WITH SAFE DRAINAGE VALVES. THEY ARE SUITABLE FOR BOTH HOSPITAL AND HOME USE, OFFERING COMFORT AND SAFETY FOR PATIENTS.

WITH HYGIENE AND SAFETY BEING PRIORITIES, THE URINE BAGS ARE AVAILABLE IN A STERILE VERSION, GUARANTEEING MAXIMUM PROTECTION AGAINST CONTAMINATION. WITH DIFFERENT CAPACITIES, THEY MEET THE DIVERSE NEEDS OF PATIENTS, PROVIDING A RELIABLE SOLUTION FOR INCONTINENCE OR POST-OPERATIVE PROBLEMS.





UROLOGY

URINE COLLECTION BAG WITH TAP

1500ML URINE COLLECTION BAG WITH TAP

- 1500ML URINE COLLECTION BAG
- CONNECTOR CAP
- CONNECTOR
- TAP

401.1391 - 50CM TUBE, STERILE

- UNITS PER BOX: 100

401.0508 - 90CM TUBE, STERILE

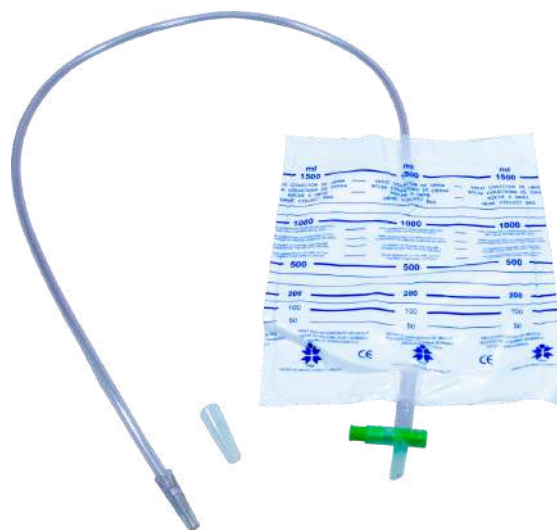
- UNITS PER BOX: 100

401.0844 - 130CM TUBE, STERILE

- UNITS PER BOX: 100

401.0507 - 90CM TUBE, NON-STERILE

- UNITS PER BOX: 200



1500ML URINE COLLECTION BAG WITH ASEPTIC COLLECTION POINT

- 1500ML URINE COLLECTION BAG
- INJECTION POINT FOR ASEPTIC HARVESTING
- CONNECTOR CAP
- CONNECTOR
- TAP
- CLAMP

401.0510 - 70CM TUBE, STERILE

- UNITS PER BOX: 75

401.2307 - 110CM TUBE, STERILE

- UNITS PER BOX: 75





UROLOGY

URINE COLLECTION BAG WITH TAP

2000ML URINE COLLECTION BAG WITH TAP

- 2000ML URINE COLLECTION BAG
- CONNECTOR CAP
- CONNECTOR
- TAP

401.0513 - 90CM TUBE, STERILE

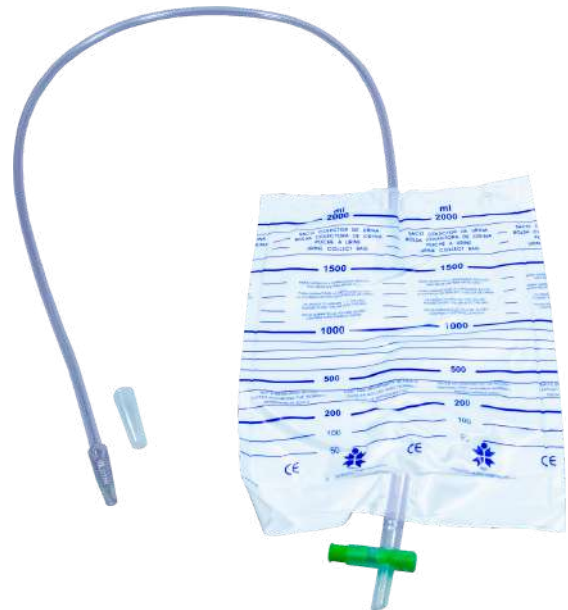
- UNITS PER BOX: 100

401.0514 - 130CM TUBE, STERILE

- UNITS PER BOX: 100

401.2148 - 90CM TUBE, NON-STERILE

- UNITS PER BOX: 100

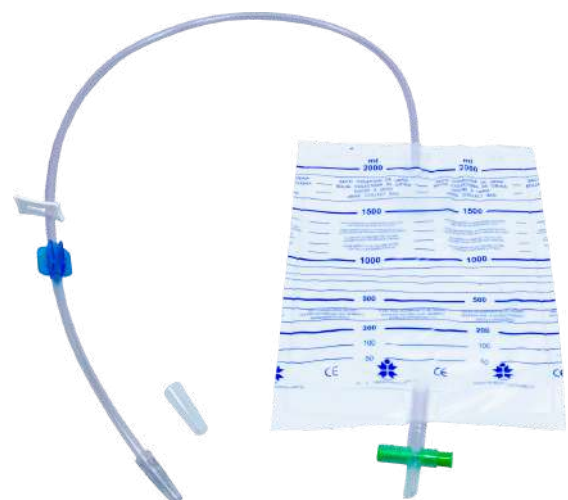


2000ML URINE COLLECTION BAG WITH ASEPTIC COLLECTION POINT

- 2000ML URINE COLLECTION BAG
- INJECTION POINT FOR ASEPTIC HARVESTING
- CONNECTOR CAP
- CONNECTOR
- TAP
- CLAMP

401.0516 - 90CM TUBE, STERILE

- UNITS PER BOX: 75





UROLOGY

URINE COLLECTION BAG WITH TAP

2000ML URINE COLLECTION BAG WITH CONNECTOR WITH ASEPTIC COLLECTION POINT

- 2000ML URINE COLLECTION BAG
- CONNECTOR WITH INJECTION POINT FOR ASEPTIC HARVESTING
- CONNECTOR CAP
- TAP
- CLAMP

401.2475 - 90CM TUBE, STERILE

- UNITS PER BOX: 50

401.0517 - 130CM TUBE, STERILE

- UNITS PER BOX: 50



2000ML URINE COLLECTION BAG WITH LUER LOCK

- 2000ML URINE COLLECTION BAG
- LUER LOCK PROTECTION CAP
- MALE LUER LOCK
- TAP

401.0515 - 90CM TUBE, STERILE

- UNITS PER BOX: 100





UROLOGY

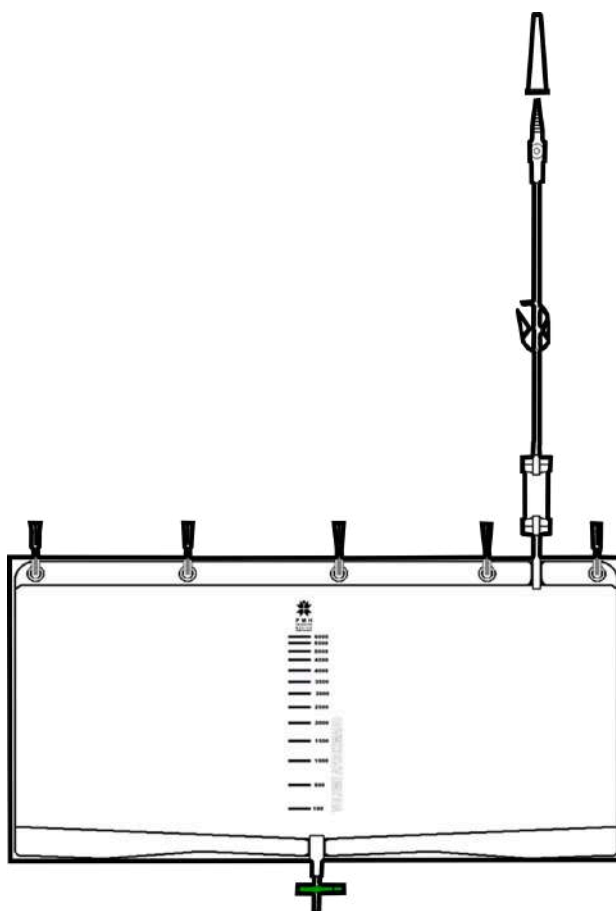
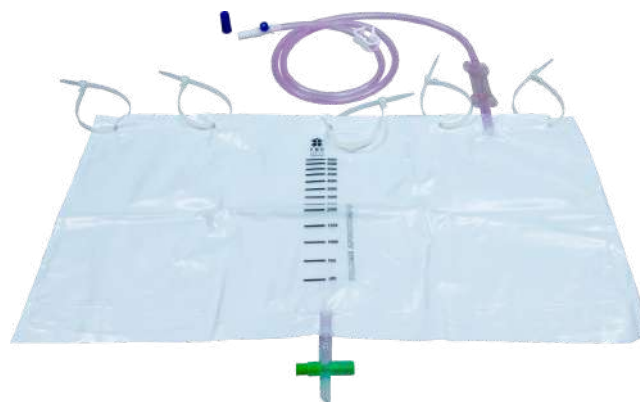
URINE COLLECTION BAG WITH TAP

6000ML URINE COLLECTION BAG

- 6000ML URINE COLLECTION BAG
- CONNECTOR WITH INJECTION POINT FOR ASEPTIC HARVESTING
- CONNECTOR CAP
- CLAMPS
- TAP
- CLAMP

401.0518 - 130CM TUBE, STERILE

- UNITS PER BOX: 25





UROLOGY

URINE COLLECTION BAG WITHOUT TAP

1500ML URINE COLLECTION BAG

- 1500ML URINE COLLECTION BAG
- LUER LOCK PROTECTION CAP
- MALE LUER LOCK

402.0520 - 90CM TUBE, STERILE

- UNITS PER BOX: 100



1500ML URINE COLLECTION BAG WITH NON-RETURN VALVE

- 1500ML URINE COLLECTION BAG
- CONNECTOR CAP
- CONNECTOR

402.0804 - 90CM TUBE, NON-STERILE

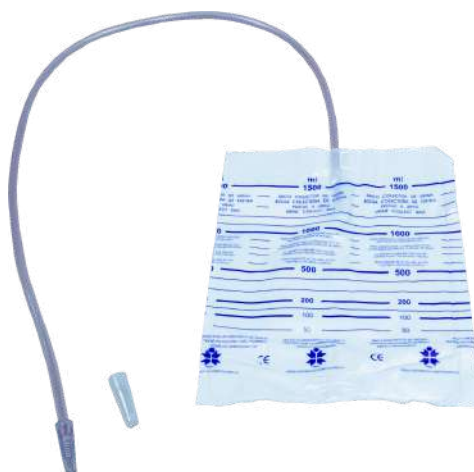
- UNITS PER BOX: 150

402.0832 - 90CM TUBE, STERILE

- UNITS PER BOX: 125

402.0650 - 130CM TUBE, STERILE

- UNITS PER BOX: 250



2000ML DRAIN BAG

- 1500ML URINE COLLECTION BAG
- LUER LOCK PROTECTION CAP
- MALE LUER LOCK

402.2547 - 90CM TUBE, STERILE

- UNITS PER BOX: 100



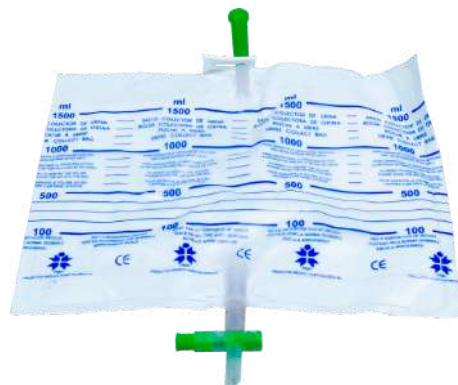


UROLOGY

SACOS DE RECARGA

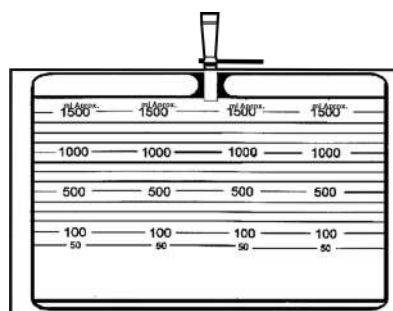
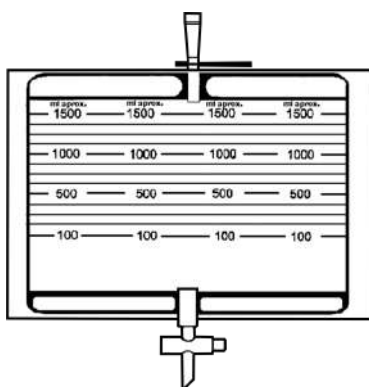
403.0540 - 1500ML REFILL BAG WITH TAP - NON-STERILE

- 1500ML REFILL COLLECTION BAG
- GREEN CONNECTOR
- CLAMP
- TAP
- UNITS PER BOX: 100



403.0814 - REFILL BAG 1500ML - NON-STERILE

- 1500ML REFILL COLLECTION BAG
- GREEN CONNECTOR
- CLAMP
- UNITS PER BOX: 150





UROLOGY

SACOS DE Esvaziamento

404.0526 - 2000ML EMPTYING BAG WITH CLAMP - NON-STERILE

- 2000ML REFILL COLLECTION BAG
- GREEN CONNECTOR
- 20CM TUBE
- CLAMP
- UNITS PER BOX: 150



404.0527 - 2000ML EMPTYING BAG - NON-STERILE

- 2000ML REFILL COLLECTION BAG
- GREEN CONNECTOR
- 20CM TUBE
- UNITS PER BOX: 150



404.0792 - 2000ML EMPTYING BAG WITH TAP - NON-STERILE

- 2000ML REFILL COLLECTION BAG
- GREEN CONNECTOR
- 20CM TUBE
- TAP
- UNITS PER BOX: 100

