



PMH



GERIATRICS AND HOME CARE

PRODUCTS CATALOG

FL-PMH-008 REV.00 | Data: 22/04/2024

Care with Excellence

PMH - Produtos Médicos Hospitalares, S.A. | +351 263 650 680 | www.pmh.pt | info@pmh.pt

PMH-03P-02F REV.01



GERIATRICS AND HOME CARE

TO TAKE CARE OF THOSE WHO TAKE CARE OF US

ENSURE ASEPTIC PROCEDURES AND PROVIDE COMFORT

PRODUCTS FOR HOMES AND HOME CARE PERFORM AN ESSENTIAL FUNCTION BY PROVIDING COMFORT, HYGIENE AND CARE, CONTRIBUTING SIGNIFICANTLY TO THE QUALITY OF LIFE OF THOSE WHO DEPEND ON SPECIFIC CARE.

PRODUCTS SUCH AS URINE BAGS, WIPES AND MOISTURIZERS OFFER PRACTICAL SOLUTIONS FOR A VARIETY OF NEEDS. URINE BAGS ALLOW FOR EFFECTIVE AND SAFE URINE COLLECTION, ESPECIALLY FOR IMMOBILIZED PATIENTS.

THE WIPES, IN TURN, GUARANTEE EFFICIENT AND GENTLE CLEANING, ESPECIALLY FOR PEOPLE WITH REDUCED MOBILITY.

MOISTURIZERS ARE ESSENTIAL FOR KEEPING SKIN HEALTHY AND PROTECTED, IN CASES OF DRY OR SENSITIVE SKIN, PROVIDING IMMEDIATE AND LASTING RELIEF. THESE PRODUCTS PROMOTE COMFORT, HYGIENE AND WELL-BEING.





UROLOGY

URINE COLLECTION BAG WITH TAP

1500ML URINE COLLECTION BAG WITH TAP

- 1500ML URINE COLLECTION BAG
- CONNECTOR CAP
- CONNECTOR
- TAP

401.1391 - 50CM TUBE, STERILE

- UNITS PER BOX: 100

401.0508 - 90CM TUBE, STERILE

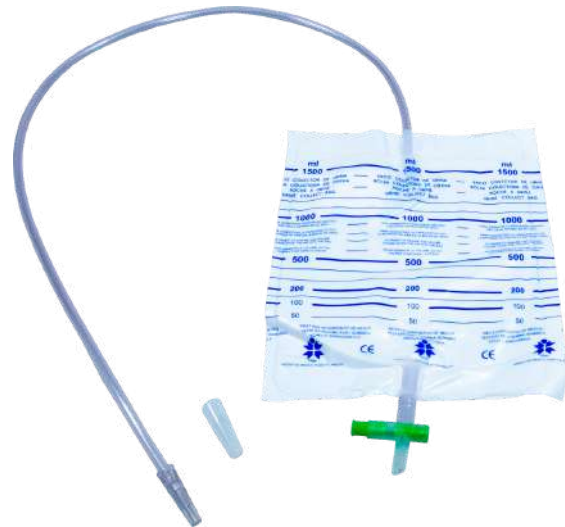
- UNITS PER BOX: 100

401.0844 - 130CM TUBE, STERILE

- UNITS PER BOX: 100

401.0507 - 90CM TUBE, NON-STERILE

- UNITS PER BOX: 200



1500ML URINE COLLECTION BAG WITH ASEPTIC COLLECTION POINT

- 1500ML URINE COLLECTION BAG
- INJECTION POINT FOR ASEPTIC SAMPLING
- CONNECTOR CAP
- CONNECTOR
- TAP
- CLAMP

401.0510 - 70CM TUBE, STERILE

- UNITS PER BOX: 75

401.2307 - 110CM TUBE, STERILE

- UNITS PER BOX: 75





UROLOGY

URINE COLLECTION BAG WITH TAP

2000ML URINE COLLECTION BAG WITH TAP

- 2000ML URINE COLLECTION BAG
- CONNECTOR CAP
- CONNECTOR
- TAP

401.0513 - 90CM TUBE, STERILE

- UNITS PER BOX: 100

401.0514 - 130CM TUBE, STERILE

- UNITS PER BOX: 100

401.2148 - 90CM TUBE, NON-STERILE

- UNITS PER BOX: 100

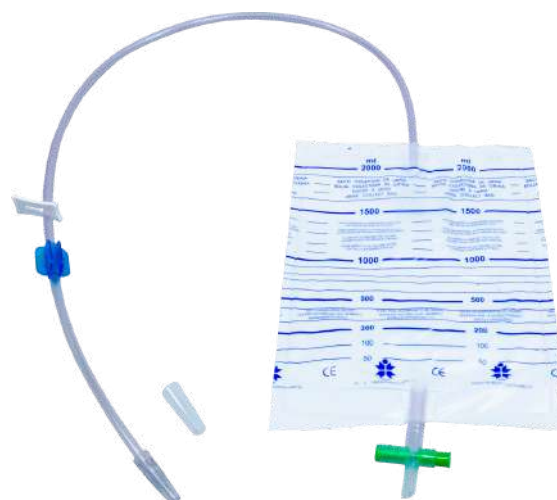


2000ML URINE COLLECTION BAG WITH ASEPTIC COLLECTION POINT

- 2000ML URINE COLLECTION BAG
- INJECTION POINT FOR ASEPTIC SAMPLING
- CONNECTOR CAP
- CONNECTOR
- TAP
- CLAMP

401.0516 - 90CM TUBE, STERILE

- UNITS PER BOX: 75





UROLOGY

URINE COLLECTION BAG WITH TAP

2000ML URINE COLLECTION BAG WITH CONNECTOR WITH ASEPTIC COLLECTION POINT

- 2000ML URINE COLLECTION BAG
- CONNECTOR WITH INJECTION POINT FOR ASEPTIC SAMPLING
- CONNECTOR CAP
- TAP
- CLAMP

401.2475 - 90CM TUBE, STERILE

- UNITS PER BOX: 50

401.0517 - 130CM TUBE, STERILE

- UNITS PER BOX: 50



2000ML URINE COLLECTION BAG WITH LUER LOCK

- 2000ML URINE COLLECTION BAG
- LUER LOCK PROTECTION CAP
- MALE LUER LOCK
- TAP

401.0515 - 90CM TUBE, STERILE

- UNITS PER BOX: 100





UROLOGY

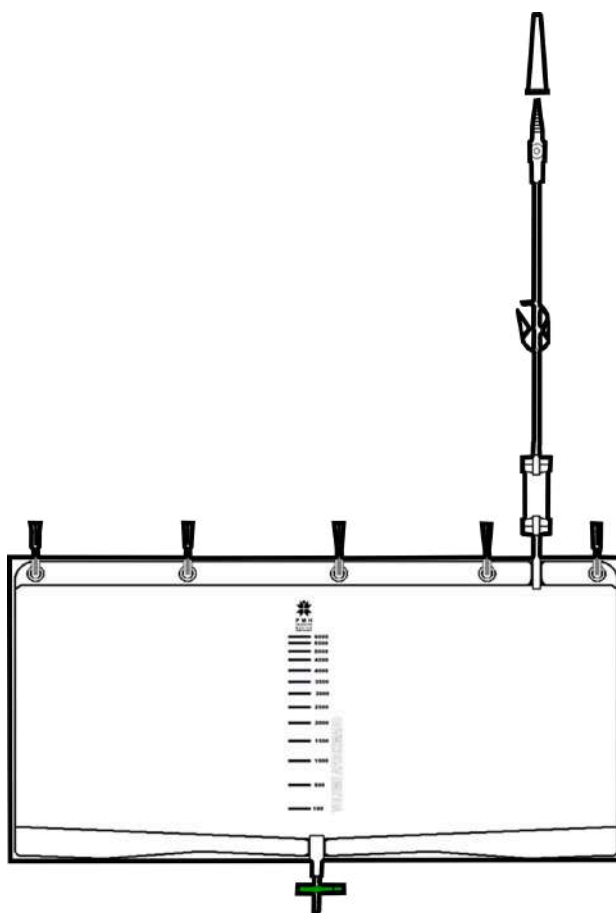
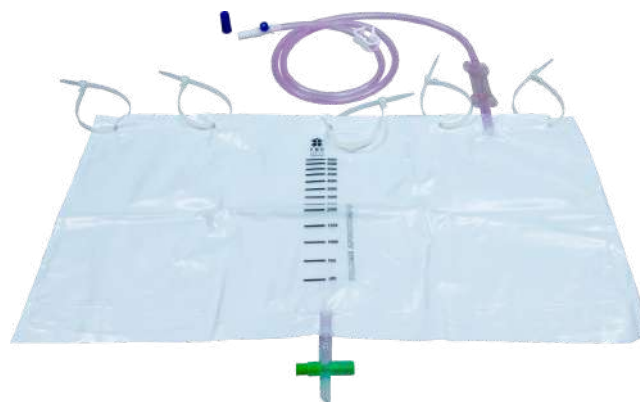
URINE COLLECTION BAG WITH TAP

6000ML URINE COLLECTION BAG

- 6000ML URINE COLLECTION BAG
- CONNECTOR WITH INJECTION POINT FOR ASEPTIC SAMPLING
- CONNECTOR CAP
- CLAMPS
- TAP
- CLAMP

401.0518 - 130CM TUBE, STERILE

- UNITS PER BOX: 25





UROLOGY

URINE COLLECTION BAG WITHOUT TAP

1500ML URINE COLLECTION BAG

- 1500ML URINE COLLECTION BAG
- LUER LOCK PROTECTION CAP
- MALE LUER LOCK

402.0520 - 90CM TUBE, STERILE

- UNITS PER BOX: 100



1500ML URINE COLLECTION BAG WITH NON-RETURN VALVE

- 1500ML URINE COLLECTION BAG
- CONNECTOR CAP
- CONNECTOR

402.0804 - 90CM TUBE, NON-STERILE

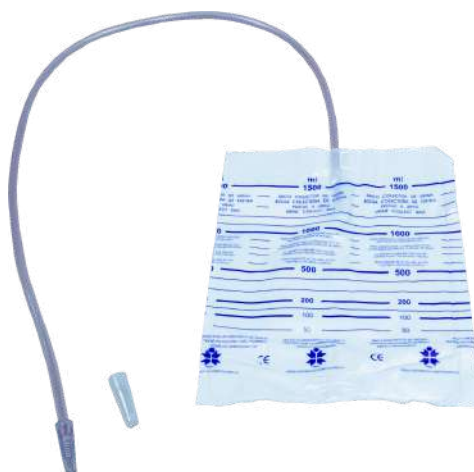
- UNITS PER BOX: 150

402.0832 - 90CM TUBE, STERILE

- UNITS PER BOX: 125

402.0650 - 130CM TUBE, STERILE

- UNITS PER BOX: 250



2000ML DRAIN BAG

- 1500ML URINE COLLECTION BAG
- LUER LOCK PROTECTION CAP
- MALE LUER LOCK

402.2547 - 90CM TUBE, STERILE

- UNITS PER BOX: 100



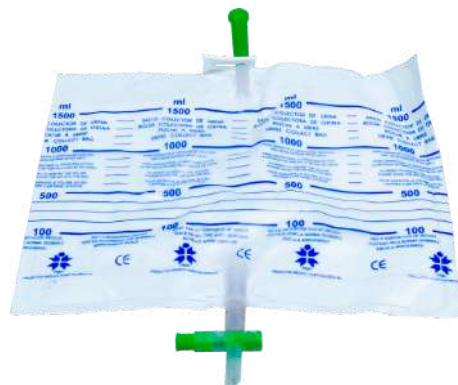


UROLOGY

SACOS DE RECARGA

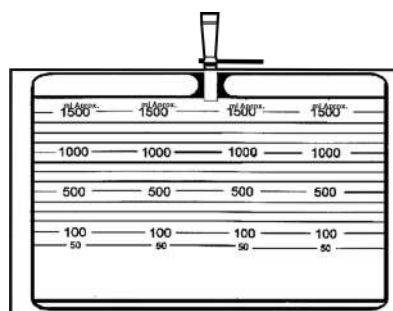
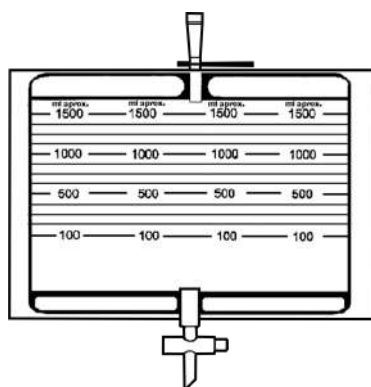
403.0540 - 1500ML REFILL BAG WITH TAP - NON-STERILE

- 1500ML REFILL COLLECTION BAG
- GREEN CONNECTOR
- CLAMP
- TAP
- UNITS PER BOX: 100



403.0814 - REFILL BAG 1500ML - NON-STERILE

- 1500ML REFILL COLLECTION BAG
- GREEN CONNECTOR
- CLAMP
- UNITS PER BOX: 150





UROLOGY

SACOS DE ESVAZIAMENTO

404.0526 - 2000ML EMPTYING BAG WITH CLAMP - NON-STERILE

- 2000ML REFILL COLLECTION BAG
- GREEN CONNECTOR
- 20CM TUBE
- CLAMP
- UNITS PER BOX: 150



404.0527 - 2000ML EMPTYING BAG - NON-STERILE

- 2000ML REFILL COLLECTION BAG
- GREEN CONNECTOR
- 20CM TUBE
- UNITS PER BOX: 150



404.0792 - 2000ML EMPTYING BAG WITH TAP - NON-STERILE

- 2000ML REFILL COLLECTION BAG
- GREEN CONNECTOR
- 20CM TUBE
- TAP
- UNITS PER BOX: 100





HYGIENE AND DISINFECTION

SANIGEL

SANIGEL-D - 1L SANIGEL - PH 5.5

- FOR DAILY CLEANING OF THE BODY AND SCALP.
- ITS USE IS SUITABLE FOR ALL TYPES OF COMMUNITIES, SUCH AS HOSPITALS, NURSING HOMES, RESIDENCES, ETC.
- UNITS PER BOX: 12



SANIGEL500 - 500ML SANIGEL - PH 5.5

- FOR DAILY CLEANING OF THE BODY AND SCALP.
- ITS USE IS SUITABLE FOR ALL TYPES OF COMMUNITIES, SUCH AS HOSPITALS, NURSING HOMES, RESIDENCES, ETC.
- UNITS PER BOX: 12



SPONGES

BS-8 - SOAPY SPONGE 5.5 PH

- THE GEL WITH WHICH THE SPONGES ARE IMPREGNATED IS DERMATOLOGICALLY TESTED AND HYPOALLERGENIC WITH A PH OF 5.5 +/- 0.3 AND A BLUISH-GREEN COLOR SUITABLE FOR INTIMATE HYGIENE.
- DIMENSIONS: 13CM X 7.5CM
- UNITS PER PACK: 100
- PACKAGING PER BOX: 12





WIPES PATIENT CLEANING

CON25 - CONTIPLAN® WIPES - CLEANING FOR INCONTINENCE

- SUITABLE FOR CONTACT DERMATITIS
- CLEANS, HYDRATES AND PROTECTS.
- CREATES A LONG-LASTING PROTECTIVE BARRIER.
- UNITS PER PACKAGE: 25



CBB8 - CARELL® WIPES - BEDRIDDEN BODY CLEANSING

- SUITABLE FOR ALL SKIN TYPES.
- FRAGRANCE-FREE, CAN BE USED DAILY.
- UNITS PER PACKAGE: 8



SURFACE CLEANING

CUSW200 - CLINELL® WIPES - SURFACE DISINFECTION

- BACTERICIDAL, VIRUCIDAL AND FUNGICIDAL ACTION.
- SUITABLE FOR SURFACES AND EQUIPMENT.
- GUARANTEED SAVINGS WITH A SINGLE PRODUCT THAT CLEANS AND DISINFECTS.
- UNITS PER PACK: 200



CWTUB100 - CLINELL® WIPES IN TUBE - SURFACE DISINFECTION

- BACTERICIDAL, VIRUCIDAL AND FUNGICIDAL ACTION.
- SUITABLE FOR SURFACES AND EQUIPMENT.
- GUARANTEED SAVINGS WITH A SINGLE PRODUCT THAT CLEANS AND DISINFECTS.
- UNITS PER PACK: 100





MOISTURIZERS

DASSI-L

DASSI-L 1000LAN-D - 1L DASSI-L MOISTURIZER - WITH LANOLIN

- RECOMMENDED TO SOFTEN, NOURISH AND HYDRATE THE SKIN.
- ENRICHED IN LANOLIN.
- CONTAINS ACTIVE INGREDIENTS FROM OAT EXTRACT AND VITAMIN E, HAVE UNIQUE PROPERTIES FOR EMULSIFYING, TONING AND STIMULATING SKIN TISSUES.
- UNITS PER BOX: 12

DASSI-L 1000ML-D - 1L DASSI-L MOISTURIZER - WITHOUT LANOLIN

- RECOMMENDED TO SOFTEN, NOURISH AND HYDRATE THE SKIN.
- CONTAINS ACTIVE INGREDIENTS FROM OAT EXTRACT AND VITAMIN E, HAVE UNIQUE PROPERTIES FOR EMULSIFYING, TONING AND STIMULATING SKIN TISSUES.
- UNITS PER BOX: 12

DASSI-L 500LAN-D - 500ML DASSI-L MOISTURIZER - WITH LANOLIN

- RECOMMENDED TO SOFTEN, NOURISH AND HYDRATE THE SKIN.
- ENRICHED IN LANOLIN.
- CONTAINS ACTIVE INGREDIENTS FROM OAT EXTRACT AND VITAMIN E, HAVE UNIQUE PROPERTIES FOR EMULSIFYING, TONING AND STIMULATING SKIN TISSUES.
- UNITS PER BOX: 12

DASSI-L 100LAN - DASSI-L MOISTURIZER 100ML - WITH LANOLIN

- RECOMMENDED TO SOFTEN, NOURISH AND HYDRATE THE SKIN.
- ENRICHED IN LANOLIN.
- CONTAINS ACTIVE INGREDIENTS FROM OAT EXTRACT AND VITAMIN E, HAVE UNIQUE PROPERTIES FOR EMULSIFYING, TONING AND STIMULATING SKIN TISSUES.
- UNITS PER BOX: 24

